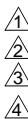


4

3

2

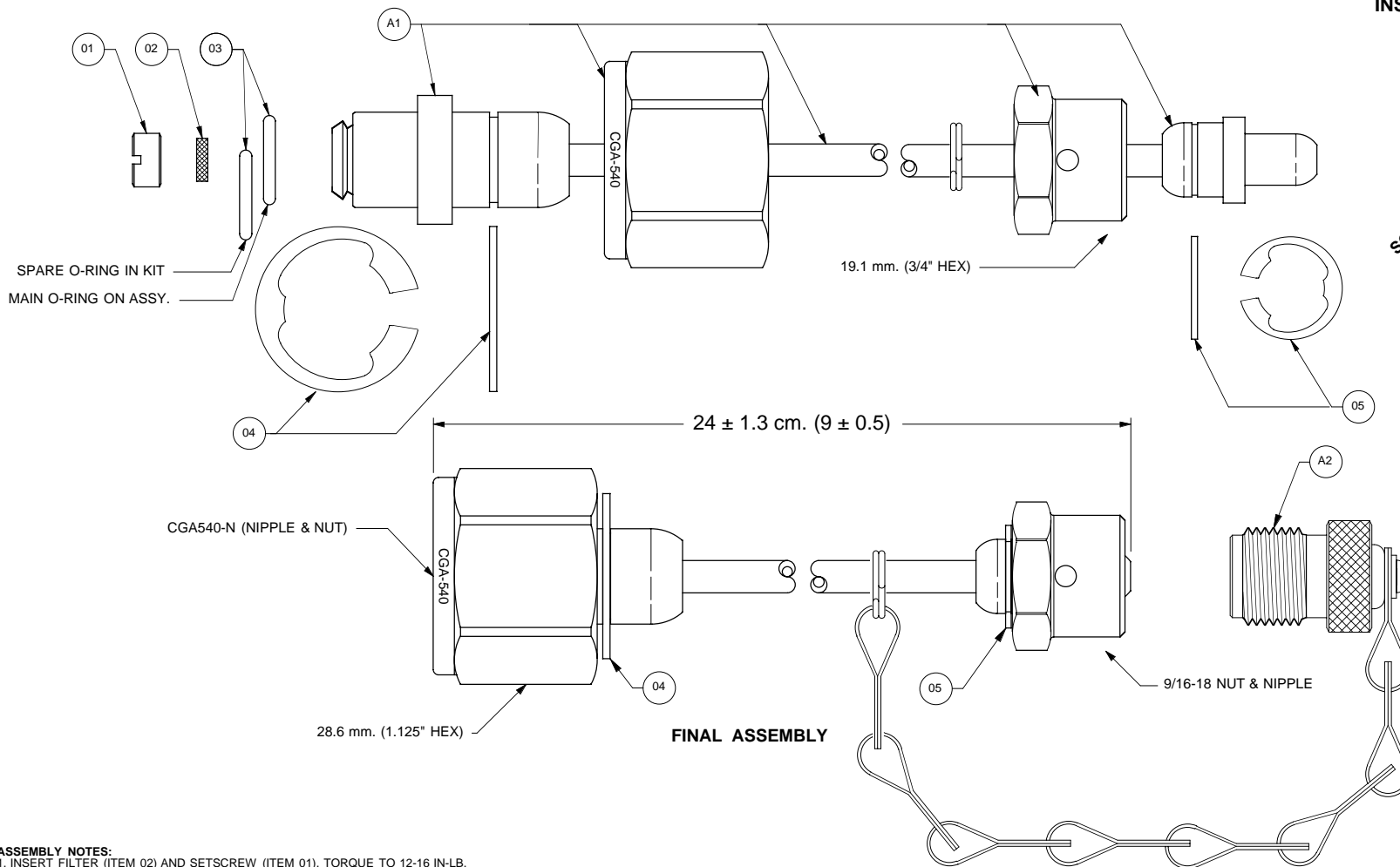
1

**NOTES:**

1. MATERIAL: SEE COMPONENT SPECIFICATIONS.
 2. FINISH: NONE.
 3. CLEAN: UNLESS OTHERWISE SPECIFIED, PER AIR-1176A SEC. 5.
 4. MARKING: UNLESS OTHERWISE SPECIFIED, PER IN-HOUSE DOC. ESR-005.
- REMOVE ALL BURRS & SHARP EDGES

REVISION HISTORY (version roll-offs are kept onfile)

REV	MO-DA-YR	NEO / ECO	NAME	NOTES
A	02-20-01		HBS / PLM	ADDED CAP & CHAIN ASSY
B	11-11-11		HBS / PLM	ADDED SPLIT-RING TO ASSY. DETAIL
C	10-10-2013		HBS / PLM	CHANGED NUT TYPE FROM -000 TO -001 & UPDATED FORMAT

**ASSY. DETAIL FOR
PRODUCT ITEM 00GSE-1026-00
INSERT # 5IGSE-1026-00**


SOURCE CONTROL DOCUMENT
FOR REFERENCE ONLY

ASSY. DETAIL FOR
PRODUCT P/N TA916-N

ASSEMBLY NOTES:

1. INSERT FILTER (ITEM 02) AND SETSCREW (ITEM 01), TORQUE TO 12-16 IN-LB.
2. LUBRICATE AND INSTALL O-RING (ITEM 03) PER GAP-001.
3. SLIDE LARGE NUT AGAINST SHOULDER AND INSTALL RETAINING RING (ITEM 04).
4. SLIDE SMALL NUT AGAINST SHOULDER AND INSTALL RETAINING RING (ITEM 05).

REF	QTY	DWG / PART NO.	REV	SUB-ASSY.	NOMENCLATURE
01	01	0RG10-0202-00	A	-	SETSCREW, HOLLOW
02	01	09025-0003-00	-	-	FILTER
03	02	09001-0011-90	-	-	O-RING, AS 2-011 EPDM
A1	01	-	-	0TA54-0111-00	ASSY, TUBE (CGA-540 NIP / SCOTT)
04	01	09005-0001-00	-	-	RING, RETAINING
05	01	09005-0002-00	-	-	RING, RETAINING
A2	01	-	-	CP02-0102-01	ASSY, CHAIN AND CAP

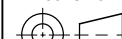
UNLESS OTHERWISE SPECIFIED DIMS ARE IN INCHES.
TOLERANCES ARE:

0.X ±0.015 ANGLES FRACTIONS
 0.XX ±0.010 ± 0.5° ± 1/64
 0.XXX ±0.005

63

INTERPRET GD&T PER ASME 14.5

FMT REV H

THIRD ANGLE
PROJECTIONDO NOT SCALE
DRAWING

 MOUNTAIN HIGH
E&S CO.
REDMOND, OR. USA
[KC]
00
 NUMBER OF KEY CHARACTERISTICS
IN THIS DRAWING / DOCUMENT
PER MH DOC: ESR-001

ORIGINAL MO-DA-YR	PLM, 11-24-99	MATERIAL		DWG. TITLE	ASSY, CGA540-NIPPLE/SCOTT TYPE (SCD)		
ENGINEER MO-DA-YR	PLM, 11-24-99	FINISH		DWS NUMBER	TA54-112-000	DWG REVISION	REV C
DRAWN MO-DA-YR	PLM, 11-24-99	CLEAN		CAD FILE NUMBER	TA54-540 AL-Type: -112 (SCD)	DWG SHEETS	1 OF 1
CHECKED MO-DA-YR	-	MARKING		INV. PART NUMBER	00GSE-1026-00	CAT ITEM NUMBER	00GSE-1026-00

4

3

2

1